

Job Name:	
Purchaser:	
Submitted To:	
Date:	

Location:	
Submitted By:	
Engineer:	
Application:	

Reference Approval Construction



Basic product info.

IDU Model Number	MSZ-FX24NL
ODU Model Number	MUZ-FX24NLHZ2
AHRI Certificate	216798019

Performance: Cooling at 95F (35C)

Cooling 95F Rated Capacity	20800	Btu/h
Cooling Maximum Power Input	3370	W
Cooling Rated Power Input	1560	W
Cooling Minimum Power Input	260	W
Moisture removal at AHRI Cooling Rating Conditions	4	Pints/h
Sensible Heat Factor at AHRI Cooling Rating Conditions	0.78	-
Cooling 95F Maximum Capacity	26500	Btu/h
Cooling 95F Minimum Capacity	2500	Btu/h

Performance: Heating at 47F (8.3C)

Heating 47F Maximum Capacity	36200	Btu/h
Heating 47F Rated Capacity	19800	Btu/h
Heating 47F Minimum Capacity	5500	Btu/h
Heating 47F Maximum Power Input	3590	W
Heating 47F Rated Power Input	1500	W
Heating 47F Minimum Power Input	320	W
COP 47F at Rated Condition	3.86	

Performance: Heating at 17F (-8.3C)

Heating 17F Maximum Capacity	29200	Btu/h
Heating 17F Rated Capacity	13600	Btu/h
Heating 17F Minimum Capacity	4310	Btu/h
Heating 17F Maximum Power Input	3800	W
Heating 17F Rated Power Input	1320	W
Heating 17F Minimum Power Input	560	W
COP 17F at Maximum capacity	2.24	
COP 17F at Rated Condition	3	

Performance: Heating at 5F (-15C)

Heating 5F Maximum Capacity (H4Full)	26600	Btu/h
Heating 5F Rated Capacity (H4Full)	9410	Btu/h
Heating 5F Minimum Capacity (H4Full)	3930	Btu/h
Heating 5F Maximum Power Input (H4Full)	3790	W
Heating 5F Rated Power Input (H4Full)	850	W
Heating 5F Minimum Power Input (H4Full)	560	W
COP 5F at Maximum capacity (H4Full)	2.04	

Performance: Heating at -5F (-20.6C)

Heating -5F Maximum Capacity	22400	Btu/h
Heating -5F Minimum Capacity	3270	Btu/h
Heating -5F Maximum Power Input	3550	W
Heating -5F Minimum Power Input	510	W
COP -5F at Maximum Capacity	1.84	

Performance: Heating at -10F (-23.3C)

Heating -10F Maximum Capacity	19800	Btu/h
Heating -10F Minimum Capacity	2930	Btu/h
Heating -10F Maximum Power Input	3360	W
Heating -10F Minimum Power Input	500	W

Performance: Heating at -22F (-30C)

Heating -22F Maximum Capacity	11700	Btu/h
Heating -22F Minimum Capacity	1860	Btu/h
Heating -22F Maximum Power Input	2000	W
Heating -22F Minimum Power Input	300	W
COP -22F at Maximum Capacity	1.7	

ODU Operating Temp. Range

Cooling Thermal Re-start Temp	0	
Cooling Thermal Lock-out Temp	-4	
Heating Thermal Re-start Temp	-23	
Heating Thermal Lock-out Temp	-34	
Cooling Thermal Re-start Temp (F)	0 / -17.8	F° / C°
Cooling Thermal Lock-out Temp (C)	-20.1	C
Cooling Thermal Lock-out Temp (F)	-4 / -20	F° / C°
Heating Thermal Re-start Temp (C)	-30.3	C
Heating Thermal Re-start Temp (F)	-23 / -30.6	F° / C°
Heating Thermal Lock-out Temp (C)	-36.7	C
Heating Thermal Lock-out Temp (F)	-34 / -36.7	F° / C°
Cooling Thermal Re-start Temp (C)	-17.8	C

Rebates

Energy Star 6.1 Certified	Yes	
Energy Star 6.1 Cold Climate Certified	Yes	
NEEP Certification	Yes	

Efficiency

SEER2	23.5	
EER2	13.35	
HSPF2 (IV)	10.5	
HSPF2 (V)	10.4	

Electrical

Rated Voltage (Min)	208	V AC
Rated Voltage (Max)	230	V AC
Phase	1	
Short-circuit Current Rating (SCCR)	5	kA
Recommended Fuse/Breaker Size	25	
ODU Minimum Circuit Ampacity (MCA)	22	A
IDU Minimum Circuit Ampacity (MCA) if Powered Separate	1	A
ODU Maximum Over Current Protection (MOCP) = MOP = Maximum Fuse	38	A

Indoor Unit

IDU Airflow Rate at Cooling, Dry 1	272	CFM
IDU Airflow Rate at Cooling, Dry 2	378	CFM
IDU Airflow Rate at Cooling, Dry 3	484	CFM
IDU Airflow Rate at Cooling, Dry 4	586	CFM
IDU Airflow Rate at Cooling, Dry 5	720	CFM
IDU Airflow Rate at Cooling, Wet 2	321	CFM
IDU Airflow Rate at Cooling, Wet 3	411	CFM
IDU Airflow Rate at Cooling, Wet 4	498	CFM
IDU Airflow Rate at Cooling, Wet 5	612	CFM
IDU Airflow Rate at Heating 1	272	CFM
IDU Airflow Rate at Heating 2	353	CFM
IDU Airflow Rate at Heating 3	470	CFM
IDU Airflow Rate at Heating 4	586	CFM
IDU SPL at Cooling 4	47	dB (A)
IDU SPL at Heating 5	55	dB (A)
Drain Pipe Size (Outer size)	10/16	inch
External Finish (Munsell No. in case painting)	Munsell 1.0Y 9.2/0.2	
IDU Unit Dimension W	39 5/16	inch
IDU Unit Dimension D	9 3/4	inch
IDU Unit Dimension H	12	inch
IDU Unit Weight	31.6	lbs
IDU Airflow Rate at Cooling, Wet 1	231	CFM
IDU Airflow Rate at Heating 5	749	CFM

Outdoor Unit

ODU Fan Motor Full Load Amperage (FLA) (if data available)	0.76	A
ODU Fan Motor Output	0.1	HP
Base Pan Heater installed (Built-in or Optional)	Built-in	
ODU Unit Dimension D	13	inch
ODU Unit Dimension H	34 5/8	inch
ODU Unit Weight	121.5	lbs
ODU Unit Dimension W	33 1/16	inch

Piping

Gas Pipe Size O.D. [Flared]	5/8	inch
Liquid Pipe Size O.D. [Flared]	1/4	inch
Maximum Piping Length	100	ft
Maximum Height Difference	50	ft

Refrigerant

Refrigerant Type	R454B	
Pre-charged Refrigerant Amount (kg)	1.52	
Pre-charged Refrigerant Amount (lbs)	3	
Pre-charged Refrigerant Amount (oz)	6	
Pre-charged Refrigerant Amount	6	oz
Maximum Pre-charged Piping Length	50	ft

Accessories

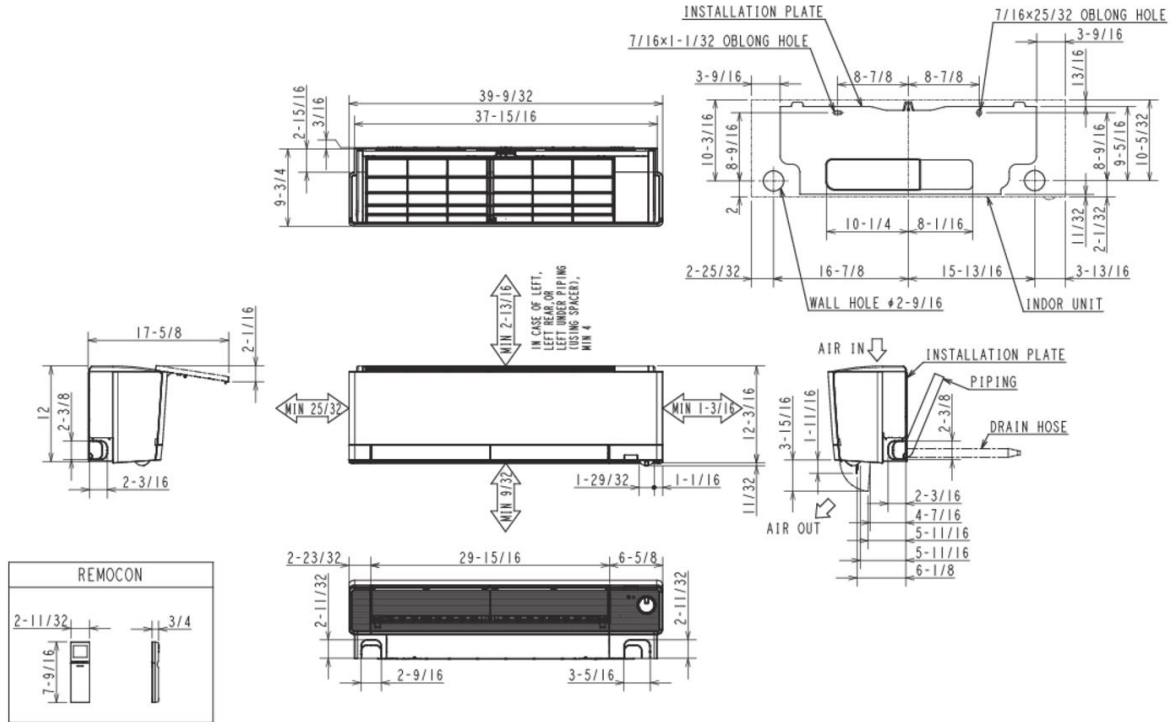
Handheld Remote Controller English	MAC-FL110M-E	
Handheld Remote Controller French	MAC-FL210M-E	
Wall Mount controller	PAR-42MAACAB (REQUIRES SYSTEM INTERFACE)	
Simple Wall MA Controller	PAC-YT53CRAU-J	
Simple CN105 Controller	PAC-SDW01	
Deodorizing Filter	MAC-3010FT-E	
Microparticle Catching Filter	MAC-EMF515T-E	
Electrostatic Anti-allergy Enzyme Filter	MAC-2310FT-E	
System Interface (Full Control)	MAC-334IF-E	
System Interface (Functional Control)	MAC-497IF-E	
NA T-STAT interface	RMF-CA200	
NA T-STAT Interface	RMF-CA200	

AHRI Rated Conditions (Rated data is determined at a fixed compressor speed) (* Windscreens required for cooling operations below 23°F (-5°C))

- ¹ Cooling (Indoor // Outdoor) 80°F (26.6°C) DB, 67°F (19.4°C) WB // 95°F (35°C) DB, 75°F (23.9°C) WB
- ² Heating at 47°F (8.3°C) (Indoor // Outdoor) 70°F (21.1°C) DB, 60°F (15.6°C) WB // 47°F (8.3°C) DB, 43°F (6.1°C) WB
- ³ Heating at 17°F (-8.3°C) (Indoor // Outdoor) 70°F (21.1°C) DB, 60°F (15.6°C) WB // 17°F (-8.3°C) DB, 15°F (-9.4°C) WB
- tHeating at 5°F (-15°C) (Indoor // Outdoor) 70°F (21.1°C) DB, 60°F (15.6°C) WB // 5°F (-15°C) DB, 4°F (-15.6°C) WB
- uHeating at -4°F (-20°C) (Indoor // Outdoor) 70°F (21.1°C) DB, 60°F (15.6°C) WB // -4°F (-20°C) DB, -15°F (-26.1°C) WB

MSZ-FX24NL

Unit: inch



MSZ-FX06/09/12NL

PIPING	INSULATION	ø 1-9/16 O.D
	LIQUID LINE	ø 1/4 - 19-11/16 (FLARED CONNECTION ø 1/4)
	GAS LINE	ø 3/8 - 17-3/4 (FLARED CONNECTION ø 3/8)
DRAIN HOSE		INSULATION ø 1-5/32 CONNECTED PART ø 5/8 O.D

MSZ-FX24NL

PIPING	INSULATION	ø 1-9/16 O.D
	LIQUID LINE	ø 1/4 - 19-11/16 (FLARED CONNECTION ø 1/4)
	GAS LINE	ø 15/32 - 17-3/4* (FLARED CONNECTION ø 5/8)
DRAIN HOSE		INSULATION ø 1-5/32 CONNECTED PART ø 5/8 O.D

*The diameter of the gas line piping is ø 3/8 in one spot.

MSZ-FX15/18NL

PIPING	INSULATION	ø 1-9/16 O.D
	LIQUID LINE	ø 1/4 - 19-11/16 (FLARED CONNECTION ø 1/4)
	GAS LINE	ø 3/8 - 17-3/4 (FLARED CONNECTION ø 1/2)
DRAIN HOSE		INSULATION ø 1-5/32 CONNECTED PART ø 5/8 O.D

MUZ-FX24NLHZ2

Unit: inch

