

Submittal Data: MSZ-HX24NL MUZ-HX24NLH2

Job Name:	
Purchaser:	
Submitted To:	
Date:	

Location:	
Submitted By:	
Engineer:	
Application:	

Reference Approval Construction



Basic product info.

IDU Model Number	MSZ-HX24NL
ODU Model Number	MUZ-HX24NLH2
AHRI Certificate	216801496

Performance: Cooling at 95F (35C)

Cooling 95F Rated Capacity	22400	Btu/h
Cooling 95F Minimum Capacity	5800	Btu/h
Cooling Maximum Power Input	2200	W
Cooling Rated Power Input	1910	W
Cooling Minimum Power Input	380	W
Moisture removal at AHRI Cooling Rating Conditions	5.5	Pints/h
Sensible Heat Factor at AHRI Cooling Rating Conditions	0.73	-
Cooling 95F Maximum Capacity	22400	Btu/h

Performance: Heating at 47F (8.3C)

Heating 47F Maximum Capacity	26000	Btu/h
Heating 47F Minimum Capacity	6200	Btu/h
Heating 47F Maximum Power Input	2500	W
Heating 47F Rated Power Input	2500	W
Heating 47F Minimum Power Input	370	W
COP 47F at Maximum Capacity	3.04	
COP 47F at Rated Condition	3.04	
Heating 47F Rated Capacity	26000	Btu/h

Performance: Heating at 17F (-8.3C)

Heating 17F Maximum Capacity	18500	Btu/h
Heating 17F Rated Capacity	17200	Btu/h
Heating 17F Minimum Capacity	4410	Btu/h
Heating 17F Maximum Power Input	3060	W
Heating 17F Rated Power Input	1900	W
Heating 17F Minimum Power Input	730	W
COP 17F at Maximum capacity	1.76	
COP 17F at Rated Condition	2.64	

Performance: Heating at 5F (-15C)

Heating 5F Rated Capacity (H4Full)	12350	Btu/h
Heating 5F Minimum Capacity (H4Full)	4330	Btu/h
Heating 5F Maximum Power Input (H4Full)	2960	W
Heating 5F Rated Power Input (H4Full)	1410	W
Heating 5F Minimum Power Input (H4Full)	700	W
COP 5F at Maximum capacity (H4Full)	1.8	
COP 5F at Rated capacity (H4Full)	2.56	
Heating 5F Maximum Capacity (H4Full)	18200	Btu/h

Performance: Heating at -5F (-20.6C)

Heating -5F Maximum Capacity	17980	Btu/h
Heating -5F Minimum Capacity	4290	Btu/h
Heating -5F Maximum Power Input	3000	W
Heating -5F Minimum Power Input	710	W
COP -5F at Maximum Capacity	1.74	

ODU Operating Temp. Range

Cooling Thermal Re-start Temp	3	
Cooling Thermal Lock-out Temp	-1	
Heating Thermal Re-start Temp	-4	
Heating Thermal Lock-out Temp	-14	
Cooling Thermal Re-start Temp (C)	-16.3	C
Cooling Thermal Re-start Temp (F)	3 / -16.1	F° / C°
Cooling Thermal Lock-out Temp (C)	-18.5	C
Cooling Thermal Lock-out Temp (F)	-1 / -18.3	F° / C°
Heating Thermal Re-start Temp (C)	-20.1	C
Heating Thermal Re-start Temp (F)	-4 / -20	F° / C°
Heating Thermal Lock-out Temp (F)	-14 / -25.6	F° / C°
Heating Thermal Lock-out Temp (C)	-25.6	C

Rebates

Energy Star 6.1 Certified	Yes	
Energy Star 6.1 Cold Climate Certified	Yes	
NEEP Certification	Yes	

Efficiency

SEER2	20	
EER2	11.75	
HSPF2 (IV)	9.5	
HSPF2 (V)	9.3	

Electrical

Rated Voltage (Min)	208	V AC
Rated Voltage (Max)	230	V AC
Recommended Fuse/Breaker Size	25	
ODU Minimum Circuit Ampacity (MCA)	23	A
ODU Maximum Over Current Protection (MOCP) = MOP = Maximum Fuse	41	A
IDU Minimum Circuit Ampacity (MCA) if Powered Separate	1	A

Indoor Unit

IDU Airflow Rate at Cooling, Dry 1	341	CFM
IDU Airflow Rate at Cooling, Dry 2	428	CFM
IDU Airflow Rate at Cooling, Dry 3	537	CFM
IDU Airflow Rate at Cooling, Dry 4	664	CFM
IDU Airflow Rate at Cooling, Wet 1	306	CFM
IDU Airflow Rate at Cooling, Wet 2	385	CFM
IDU Airflow Rate at Cooling, Wet 3	484	CFM
IDU Airflow Rate at Cooling, Wet 4	597	CFM
IDU Airflow Rate at Heating 2	482	CFM
IDU Airflow Rate at Heating 3	579	CFM
IDU Airflow Rate at Heating 4	720	CFM
IDU SPL at Cooling 4	50	dB (A)
External Finish (Munsell No. in case painting)	Munsell 0.7PB 9.2/0.4	
IDU Unit Dimension W	36 5/16	inch
IDU Unit Dimension D	10 7/8	inch
IDU Unit Dimension H	12	inch
IDU Unit Weight	28	lbs
Drain Pipe Size (Outer size)	11/16	inch
IDU Airflow Rate at Heating 1	394	CFM

Outdoor Unit

ODU Fan Motor Full Load Amperage (FLA) (if data available)	0.74	A
ODU Fan Motor Output	0.1	HP
Base Pan Heater installed (Built-in or Optional)	Built-in	
ODU Unit Dimension D	13	inch
ODU Unit Dimension H	34 5/8	inch
ODU Unit Weight	116	lbs
ODU Unit Dimension W	33 1/16	inch

Piping

Gas Pipe Size O.D. [Flared]	1/2	inch
Liquid Pipe Size O.D. [Flared]	1/4	inch
Maximum Piping Length	100	ft
Maximum Height Difference	50	ft

Refrigerant

Refrigerant Type	R454B	
Maximum Pre-charged Piping Length	50	ft
Pre-charged Refrigerant Amount (kg)	1.36	
Pre-charged Refrigerant Amount (lbs)	3	
Pre-charged Refrigerant Amount (oz)	48	

Accessories

Handheld Remote Controller English	MAC-FL115M-E	
Handheld Remote Controller French	MAC-FL215M-E	
Wall Mount controller	PAR-42MAACAB (REQUIRES SYSTEM INTERFACE)	
Simple Wall MA Controller	PAC-YT53CRAU-J	
Simple CN105 Controller	PAC-SDW01	
Microparticle Catching Filter	MAC-EMF515T-E	
Electrostatic Anti-allergy Enzyme Filter	MAC-2320FT	
System Interface (Full Control)	MAC-334IF-E	
System Interface (Functional Control)	MAC-497IF-E	
NA T-STAT interface	RMF-CA200	
Wi-Fi Adapter	PAC-USWHS002	
NA T-STAT Interface	RMF-CA200	

AHRI Rated Conditions (Rated data is determined at a fixed compressor speed) (* Windscreens required for cooling operations below 23°F (-5°C))

¹ Cooling (Indoor // Outdoor) 80°F (26.6°C) DB, 67°F (19.4°C) WB // 95°F (35°C) DB, 75°F (23.9°C) WB

² Heating at 47°F (8.3°C) (Indoor // Outdoor) 70°F (21.1°C) DB, 60°F (15.6°C) WB // 47°F (8.3°C) DB, 43°F (6.1°C) WB

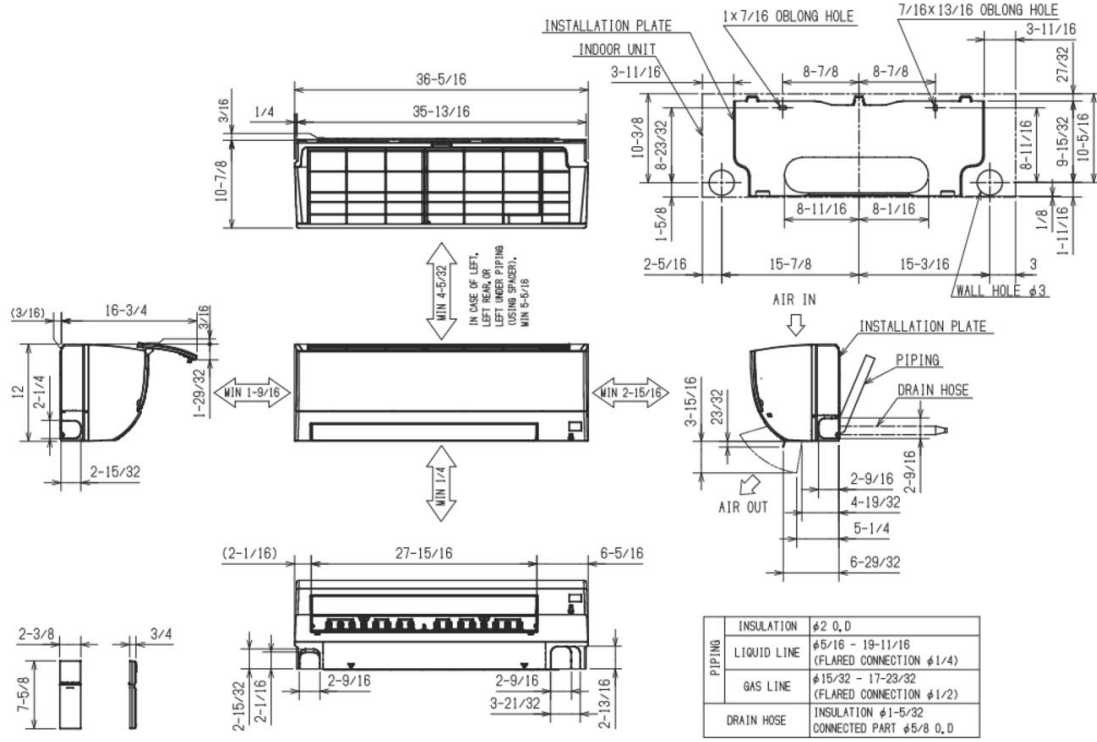
³ Heating at 17°F (-8.3°C) (Indoor // Outdoor) 70°F (21.1°C) DB, 60°F (15.6°C) WB // 17°F (-8.3°C) DB, 15°F (-9.4°C) WB

tHeating at 5°F (-15°C) (Indoor // Outdoor) 70°F (21.1°C) DB, 60°F (15.6°C) WB // 5°F (-15°C) DB, 4°F (-15.6°C) WB

uHeating at -4°F (-20°C) (Indoor // Outdoor) 70°F (21.1°C) DB, 60°F (15.6°C) WB // -4°F (-20°C) DB, -15°F (-26.1°C) WB

MSZ-HX24NL

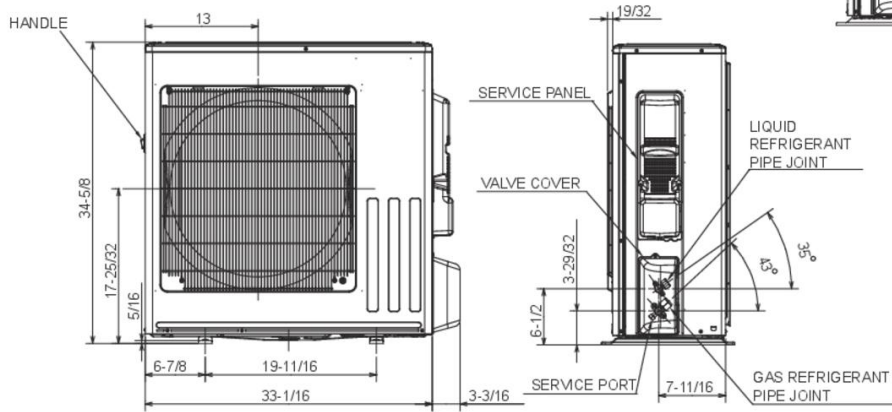
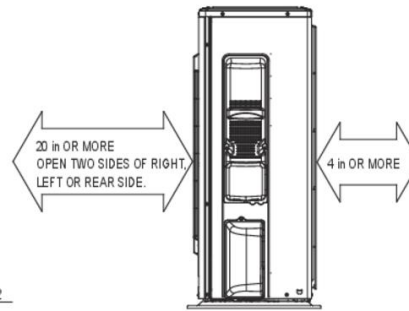
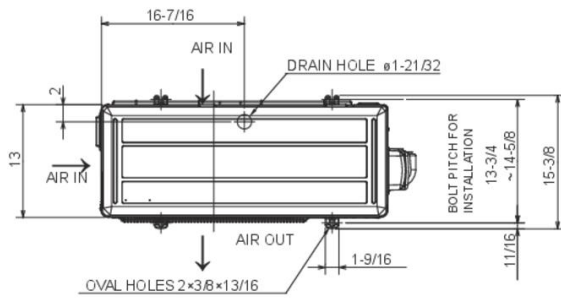
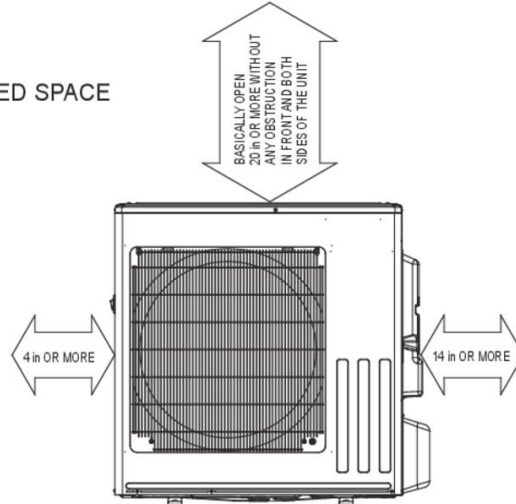
Unit: inch



MUZ-HX24NLH2

Unit: inch

REQUIRED SPACE



REFRIGERANT PIPE JOINT	LIQUID REFRIGERANT PIPE	FLARED 1/4"
	GAS REFRIGERANT PIPE	FLARED 1/2"