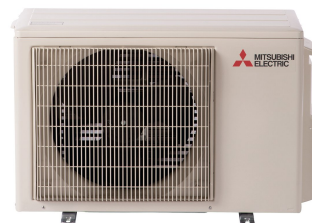


Job Name:		Location:	
Purchaser:		Submitted By:	
Submitted To:		Engineer:	
Date:		Application:	

Reference    Approval    Construction



### Basic product info.

IDU Model Number	MSZ-JX09WL
ODU Model Number	MUZ-JX09WLH
AHRI Certificate	216626294

### Performance: Cooling at 95F (35C)

Cooling 95F Maximum Capacity	11000	Btu/h
Cooling 95F Rated Capacity	9000	Btu/h
Cooling 95F Minimum Capacity	3600	Btu/h
Cooling Maximum Power Input	1100	W
Cooling Rated Power Input	720	W
Cooling Minimum Power Input	240	W
Moisture removal at AHRI Cooling Rating Conditions	1.8	Pints/h
Sensible Heat Factor at AHRI Cooling Rating Conditions	0.78	-

### Performance: Heating at 47F (8.3C)

Heating 47F Maximum Capacity	13000	Btu/h
Heating 47F Minimum Capacity	4000	Btu/h
Heating 47F Maximum Power Input	1400	W
Heating 47F Rated Power Input	900	W
Heating 47F Minimum Power Input	280	W
COP 47F at Maximum Capacity	2.72	
COP 47F at Rated Condition	3.54	
Heating 47F Rated Capacity	10900	Btu/h

### Performance: Heating at 17F (-8.3C)

Heating 17F Maximum Capacity	7200	Btu/h
Heating 17F Rated Capacity	6800	Btu/h
Heating 17F Minimum Capacity	1880	Btu/h
Heating 17F Maximum Power Input	1230	W
Heating 17F Rated Power Input	820	W
Heating 17F Minimum Power Input	320	W
COP 17F at Maximum capacity	1.7	
COP 17F at Rated Condition	2.42	

### Performance: Heating at 5F (-15C)

Heating 5F Rated Capacity (H4Full)	5180	Btu/h
Heating 5F Maximum Power Input (H4Full)	1250	W
Heating 5F Rated Power Input (H4Full)	510	W
Heating 5F Minimum Power Input (H4Full)	330	W
COP 5F at Maximum capacity (H4Full)	1.8	
COP 5F at Rated capacity (H4Full)	2.96	
Heating 5F Maximum Capacity (H4Full)	7700	Btu/h
Heating 5F Minimum Capacity (H4Full)	2010	Btu/h

### Performance: Heating at -5F (-20.6C)

Heating -5F Maximum Capacity	6740	Btu/h
Heating -5F Minimum Capacity	1760	Btu/h
Heating -5F Maximum Power Input	1260	W
Heating -5F Minimum Power Input	330	W
COP -5F at Maximum Capacity	1.56	

**ODU Operating Temp. Range**

Cooling Thermal Re-start Temp	3	
Cooling Thermal Lock-out Temp	-1	
Heating Thermal Re-start Temp	-4	
Heating Thermal Lock-out Temp	-14	
Cooling Thermal Re-start Temp (C)	-16.3	C
Cooling Thermal Re-start Temp (F)	3 / -16.1	F° / C°
Heating Thermal Re-start Temp (C)	-20.1	C
Heating Thermal Re-start Temp (F)	-4 / -20	F° / C°
Heating Thermal Lock-out Temp (C)	-25.6	C
Heating Thermal Lock-out Temp (F)	-14 / -25.6	F° / C°
Cooling Thermal Lock-out Temp (C)	-18.5	C
Cooling Thermal Lock-out Temp (F)	-1 / -18.3	F° / C°

**Rebates**

Energy Star 6.1 Certified	Yes	
Energy Star 6.1 Cold Climate Certified	Yes	
NEEP Certification	Yes	

**Efficiency**

SEER2	20	
EER2	12.5	
HSPF2 (IV)	10	
HSPF2 (V)	9.7	

**Electrical**

Rated Voltage (Min)	115	V AC
Rated Voltage (Max)	115	V AC
Recommended Fuse/Breaker Size	20	
ODU Minimum Circuit Ampacity (MCA)	17	A
ODU Maximum Over Current Protection (MOCP) = MOP = Maximum Fuse	28	A
IDU Minimum Circuit Ampacity (MCA) if Powered Separate	1.4	A

**Indoor Unit**

IDU Airflow Rate at Cooling, Dry 1	146	CFM
IDU Airflow Rate at Cooling, Dry 2	210	CFM
IDU Airflow Rate at Cooling, Dry 3	293	CFM
IDU Airflow Rate at Cooling, Dry 4	374	CFM
IDU Airflow Rate at Cooling, Wet 1	131	CFM
IDU Airflow Rate at Cooling, Wet 2	189	CFM
IDU Airflow Rate at Cooling, Wet 3	263	CFM
IDU Airflow Rate at Cooling, Wet 4	337	CFM
IDU Airflow Rate at Heating 1	146	CFM
IDU Airflow Rate at Heating 2	219	CFM
IDU Airflow Rate at Heating 3	313	CFM
IDU Airflow Rate at Heating 4	384	CFM
IDU SPL at Cooling 4	43	dB (A)
External Finish (Munsell No. in case painting)	Munsell 0.7PB 9.2/0.4	
IDU Unit Dimension W	33	inch
IDU Unit Dimension D	9 4/16	inch
IDU Unit Dimension H	11 1/16	inch
IDU Unit Weight	20	lbs
Drain Pipe Size (Outer size)	11/16	inch

**Outdoor Unit**

ODU Fan Motor Full Load Amperage (FLA) (if data available)	1.13	A
ODU Fan Motor Output	0.1	HP
Base Pan Heater installed (Built-in or Optional)	Built-in	
ODU Unit Dimension W	31 8/16	inch
ODU Unit Dimension D	11 4/16	inch
ODU Unit Dimension H	21 5/8	inch
ODU Unit Weight	69	lbs

**Piping**

Gas Pipe Size O.D. [Flared]	3/8	inch
Liquid Pipe Size O.D. [Flared]	1/4	inch
Maximum Piping Length	65	ft
Maximum Height Difference	40	ft

**Refrigerant**

Refrigerant Type	R454B	
Maximum Pre-charged Piping Length	25	ft
Pre-charged Refrigerant Amount (kg)	0.63	
Pre-charged Refrigerant Amount (lbs)	1.4	
Pre-charged Refrigerant Amount (oz)	22.2	

**Accessories**

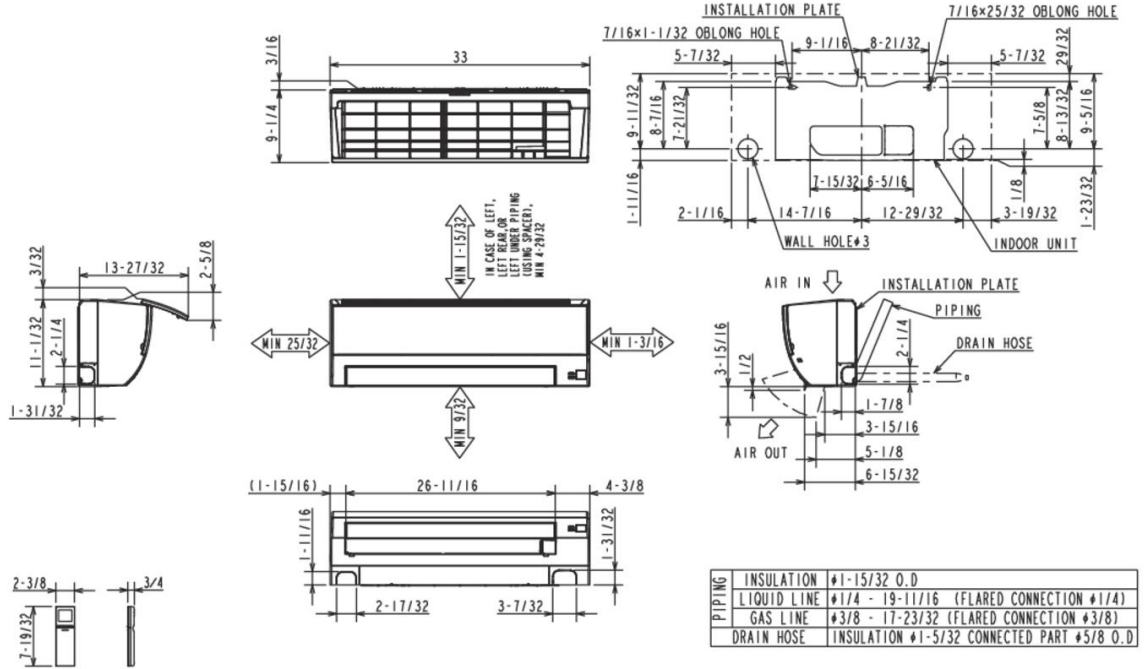
Handheld Remote Controller English	MAC-FL115M-E	
Handheld Remote Controller French	MAC-FL215M-E	
Wall Mount controller	PAR-42MAACAB (REQUIRES SYSTEM INTERFACE)	
Simple Wall MA Controller	PAC-YT53CRAU-J	
Simple CN105 Controller	PAC-SDW01	
Microparticle Catching Filter	MAC-EMF515T-E	
Electrostatic Anti-allergy Enzyme Filter	MAC-2320FT	
System Interface (Full Control)	MAC-334IF-E	
System Interface (Functional Control)	MAC-497IF-E	
NA T-STAT interface	RMF-CA200	
NA T-STAT Interface	RMF-CA200	

AHRI Rated Conditions (Rated data is determined at a fixed compressor speed) (\* Windscreens required for cooling operations below 23°F (-5°C))

- <sup>1</sup> Cooling (Indoor // Outdoor) 80°F (26.6°C) DB, 67°F (19.4°C) WB // 95°F (35°C) DB, 75°F (23.9°C) WB
- <sup>2</sup> Heating at 47°F (8.3°C) (Indoor // Outdoor) 70°F (21.1°C) DB, 60°F (15.6°C) WB // 47°F (8.3°C) DB, 43°F (6.1°C) WB
- <sup>3</sup> Heating at 17°F (-8.3°C) (Indoor // Outdoor) 70°F (21.1°C) DB, 60°F (15.6°C) WB // 17°F (-8.3°C) DB, 15°F (-9.4°C) WB
- tHeating at 5°F (-15°C) (Indoor // Outdoor) 70°F (21.1°C) DB, 60°F (15.6°C) WB // 5°F (-15°C) DB, 4°F (-15.6°C) WB
- uHeating at -4°F (-20°C) (Indoor // Outdoor) 70°F (21.1°C) DB, 60°F (15.6°C) WB // -4°F (-20°C) DB, -15°F (-26.1°C) WB

MSZ-JX09WL

Unit: inch

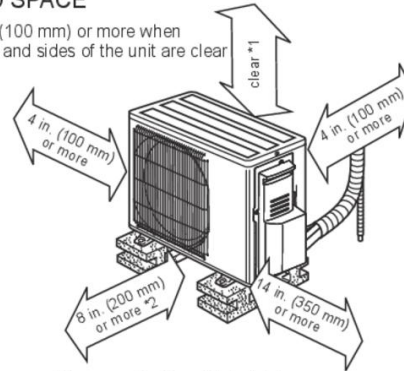


MUZ-JX09WLH

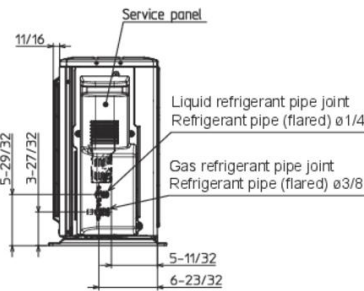
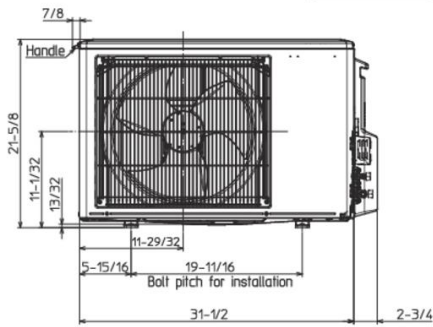
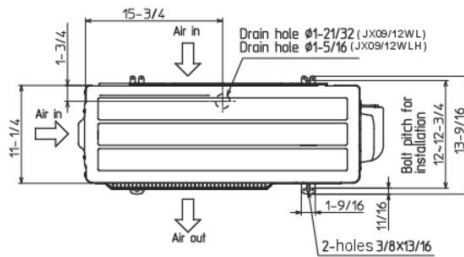
Unit: inch

REQUIRED SPACE

\*1 4 in. (100 mm) or more when front and sides of the unit are clear



\*2 When any 2 sides of left, right and rear of the unit are clear



REFRIGERANT PIPE JOINT	LIQUID REFRIGERANT PIPE	FLARED 1/4"
	GAS REFRIGERANT PIPE	FLARED 3/8"