

Job Name:		Location:	
Purchaser:		Submitted By:	
Submitted To:		Engineer:	
Date:		Application:	

Reference  
  Approval  
  Construction



### Basic product info.

IDU Model Number	MSZ-JX12WL
ODU Model Number	MUZ-JX12WLH
AHRI Certificate	216626295

### Performance: Cooling at 95F (35C)

Cooling 95F Maximum Capacity	13400	Btu/h
Cooling 95F Rated Capacity	12000	Btu/h
Cooling 95F Minimum Capacity	3600	Btu/h
Cooling Maximum Power Input	1430	W
Cooling Rated Power Input	960	W
Cooling Minimum Power Input	230	W
Moisture removal at AHRI Cooling Rating Conditions	2	Pints/h
Sensible Heat Factor at AHRI Cooling Rating Conditions	0.82	-

### Performance: Heating at 47F (8.3C)

Heating 47F Maximum Capacity	15500	Btu/h
Heating 47F Rated Capacity	12200	Btu/h
Heating 47F Minimum Capacity	4500	Btu/h
Heating 47F Maximum Power Input	2140	W
Heating 47F Rated Power Input	990	W
Heating 47F Minimum Power Input	250	W
COP 47F at Maximum Capacity	2.12	
COP 47F at Rated Condition	3.6	

### Performance: Heating at 17F (-8.3C)

Heating 17F Maximum Capacity	9000	Btu/h
Heating 17F Rated Capacity	7800	Btu/h
Heating 17F Maximum Power Input	1670	W
Heating 17F Rated Power Input	900	W
Heating 17F Minimum Power Input	310	W
COP 17F at Maximum capacity	1.56	
COP 17F at Rated Condition	2.52	
Heating 17F Minimum Capacity	1710	Btu/h

### Performance: Heating at 5F (-15C)

Heating 5F Maximum Capacity (H4Full)	8600	Btu/h
Heating 5F Rated Capacity (H4Full)	5800	Btu/h
Heating 5F Minimum Capacity (H4Full)	1640	Btu/h
Heating 5F Maximum Power Input (H4Full)	1400	W
Heating 5F Rated Power Input (H4Full)	560	W
Heating 5F Minimum Power Input (H4Full)	270	W
COP 5F at Maximum capacity (H4Full)	1.8	
COP 5F at Rated capacity (H4Full)	3.02	

### Performance: Heating at -5F (-20.6C)

Heating -5F Maximum Capacity	8300	Btu/h
Heating -5F Minimum Capacity	1580	Btu/h
Heating -5F Maximum Power Input	1370	W
COP -5F at Maximum Capacity	1.76	
Heating -5F Minimum Power Input	260	W

**ODU Operating Temp. Range**

Cooling Thermal Re-start Temp	3	
Cooling Thermal Lock-out Temp	-1	
Heating Thermal Re-start Temp	-4	
Heating Thermal Lock-out Temp	-14	
Cooling Thermal Re-start Temp (C)	-16.3	C
Cooling Thermal Re-start Temp (F)	3 / -16.1	F° / C°
Cooling Thermal Lock-out Temp (C)	-18.5	C
Cooling Thermal Lock-out Temp (F)	-1 / -18.3	F° / C°
Heating Thermal Re-start Temp (C)	-20.1	C
Heating Thermal Re-start Temp (F)	-4 / -20	F° / C°
Heating Thermal Lock-out Temp (C)	-25.6	C
Heating Thermal Lock-out Temp (F)	-14 / -25.6	F° / C°

**Rebates**

Energy Star 6.1 Certified	Yes	
Energy Star 6.1 Cold Climate Certified	Yes	
NEEP Certification	Yes	

**Efficiency**

SEER2	20	
EER2	12.5	
HSPF2 (IV)	10	
HSPF2 (V)	9.7	

**Electrical**

Rated Voltage (Min)	115	V AC
Rated Voltage (Max)	115	V AC
Recommended Fuse/Breaker Size	20	
ODU Minimum Circuit Ampacity (MCA)	18	A
ODU Maximum Over Current Protection (MOCP) = MOP = Maximum Fuse	30	A
IDU Minimum Circuit Ampacity (MCA) if Powered Separate	1.4	A

**Indoor Unit**

IDU Airflow Rate at Cooling, Dry 1	168	CFM
IDU Airflow Rate at Cooling, Dry 2	243	CFM
IDU Airflow Rate at Cooling, Dry 3	333	CFM
IDU Airflow Rate at Cooling, Dry 4	468	CFM
IDU Airflow Rate at Cooling, Wet 1	151	CFM
IDU Airflow Rate at Cooling, Wet 2	219	CFM
IDU Airflow Rate at Cooling, Wet 3	300	CFM
IDU Airflow Rate at Cooling, Wet 4	422	CFM
IDU Airflow Rate at Heating 1	173	CFM
IDU Airflow Rate at Heating 2	239	CFM
IDU Airflow Rate at Heating 3	343	CFM
IDU Airflow Rate at Heating 4	395	CFM
IDU SPL at Cooling 4	47	dB (A)
Drain Pipe Size (Outer size)	11/16	inch
External Finish (Munsell No. in case painting)	Munsell 0.7PB 9.2/0.4	
IDU Unit Dimension W	33	inch
IDU Unit Dimension D	9 4/16	inch
IDU Unit Dimension H	11 1/16	inch
IDU Unit Weight	20	lbs

**Outdoor Unit**

ODU Fan Motor Full Load Amperage (FLA) (if data available)	1.13	A
ODU Fan Motor Output	0.1	HP
Base Pan Heater installed (Built-in or Optional)	Built-in	
ODU Unit Dimension D	11 4/16	inch
ODU Unit Dimension H	21 5/8	inch
ODU Unit Weight	83	lbs
ODU Unit Dimension W	31 8/16	inch

**Piping**

Gas Pipe Size O.D. [Flared]	3/8	inch
Liquid Pipe Size O.D. [Flared]	1/4	inch
Maximum Piping Length	65	ft
Maximum Height Difference	40	ft

**Refrigerant**

Refrigerant Type	R454B	
Maximum Pre-charged Piping Length	25	ft
Pre-charged Refrigerant Amount (kg)	0.95	
Pre-charged Refrigerant Amount (lbs)	2.1	
Pre-charged Refrigerant Amount (oz)	33.5	

**Accessories**

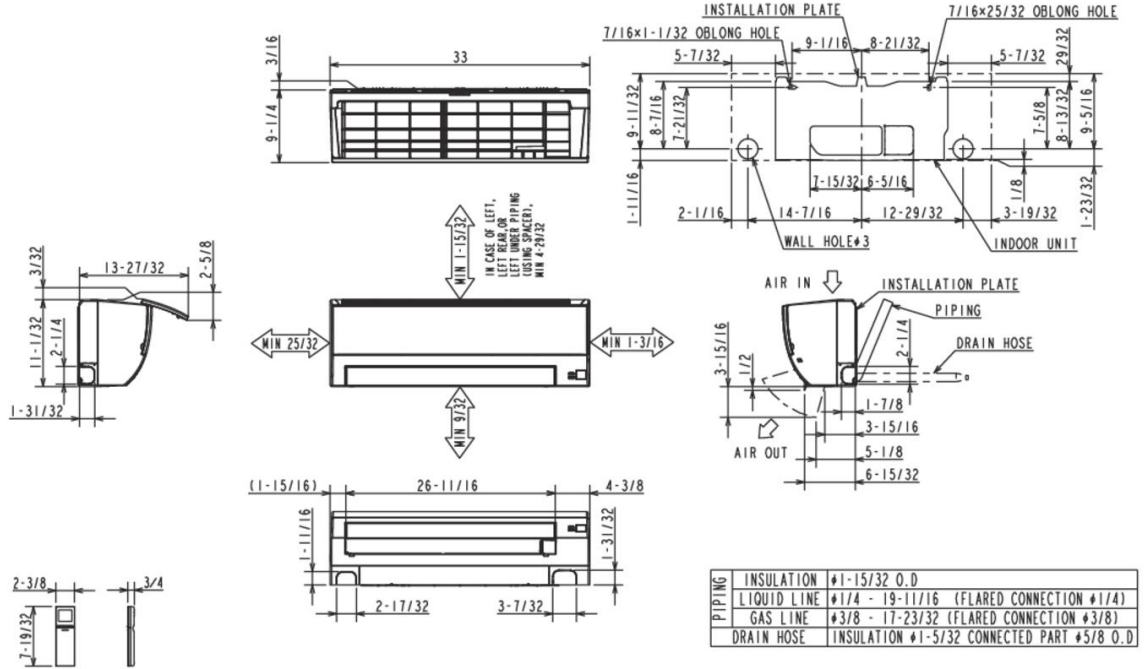
Handheld Remote Controller English	MAC-FL115M-E	
Handheld Remote Controller French	MAC-FL215M-E	
Wall Mount controller	PAR-42MAACAB (REQUIRES SYSTEM INTERFACE)	
Simple Wall MA Controller	PAC-YT53CRAU-J	
Simple CN105 Controller	PAC-SDW01	
Microparticle Catching Filter	MAC-EMF515T-E	
Electrostatic Anti-allergy Enzyme Filter	MAC-2320FT	
System Interface (Full Control)	MAC-334IF-E	
System Interface (Functional Control)	MAC-497IF-E	
NA T-STAT interface	RMF-CA200	
NA T-STAT Interface	RMF-CA200	

AHRI Rated Conditions (Rated data is determined at a fixed compressor speed) (\* Windscreens required for cooling operations below 23°F (-5°C))

- <sup>1</sup> Cooling (Indoor // Outdoor) 80°F (26.6°C) DB, 67°F (19.4°C) WB // 95°F (35°C) DB, 75°F (23.9°C) WB
- <sup>2</sup> Heating at 47°F (8.3°C) (Indoor // Outdoor) 70°F (21.1°C) DB, 60°F (15.6°C) WB // 47°F (8.3°C) DB, 43°F (6.1°C) WB
- <sup>3</sup> Heating at 17°F (-8.3°C) (Indoor // Outdoor) 70°F (21.1°C) DB, 60°F (15.6°C) WB // 17°F (-8.3°C) DB, 15°F (-9.4°C) WB
- tHeating at 5°F (-15°C) (Indoor // Outdoor) 70°F (21.1°C) DB, 60°F (15.6°C) WB // 5°F (-15°C) DB, 4°F (-15.6°C) WB
- uHeating at -4°F (-20°C) (Indoor // Outdoor) 70°F (21.1°C) DB, 60°F (15.6°C) WB // -4°F (-20°C) DB, -15°F (-26.1°C) WB

MSZ-JX12WL

Unit: inch

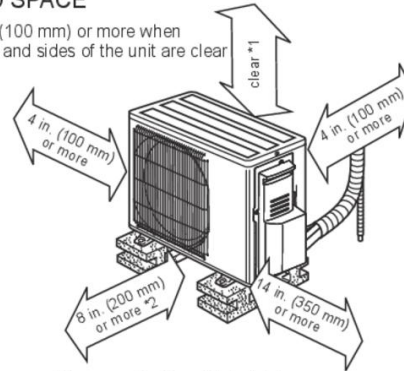


MUZ-JX12WLH

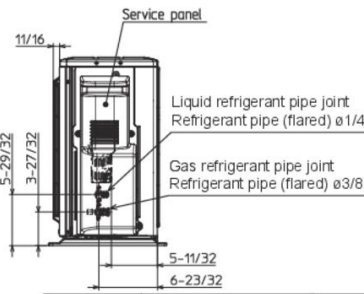
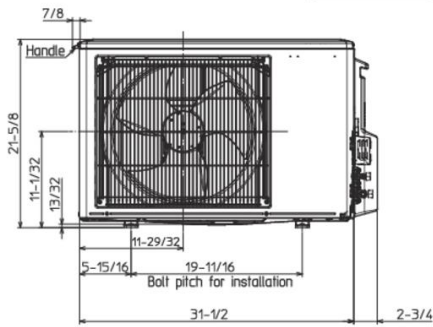
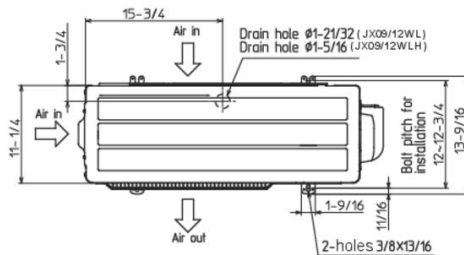
Unit: inch

REQUIRED SPACE

\*1 4 in. (100 mm) or more when front and sides of the unit are clear



\*2 When any 2 sides of left, right and rear of the unit are clear



REFRIGERANT PIPE JOINT	LIQUID REFRIGERANT PIPE	FLARED 1/4"
	GAS REFRIGERANT PIPE	FLARED 3/8"